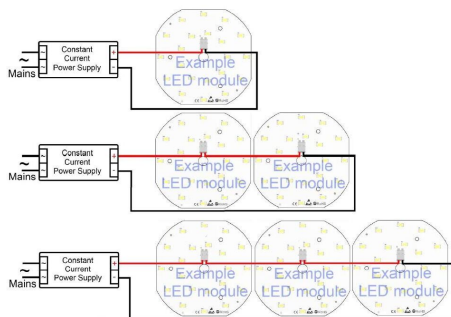


WIRING DIAGRAM FOR LED CC MODULES WITH SERIAL WIRING



ArtNo: 1100-0180-1530-9270

Height: 4mm

Screw-on: Yes

Number of poles: 2

Channels: 1

Plug contact: Yes

At CC: 1530mA

Diameter inside: 10,0mm

Board material: FR4

Power supply: CC

Color temperature: 2.700K

CRI: >93

beam angle: 120 degrees

Outer diameter: 180,0mm

IP Schutzart: IP20