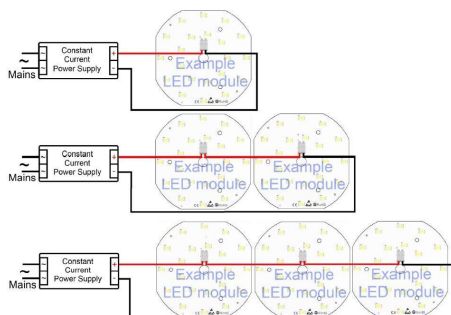


WIRING DIAGRAM FOR LED CC MODULES WITH SERIAL WIRING



ArtNo:	1100-0017-1000-9270
Height:	2,8mm
Screw-on:	Yes
Number of poles:	2
Channels:	1
Solder pad:	Yes
Number of wires:	2
Cable end processing:	tinned
Power supply:	CC
Power consumption:	9W
Color temperature:	2.700K
Outer diameter:	17,0mm
CRI:	>93
Cable type:	single strand
Cable length:	150mm
Cable conversion:	FEP
beam angle:	170 degrees
At CC:	1000mA
Material:	Aluminium
Board material:	aluminium core
Light output:	960lm
Weight:	1g
Cable cross section:	0,5mm ²
Surface and color:	white
IP Schutzart:	IP20